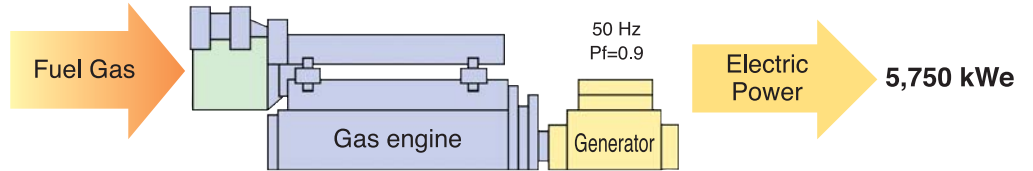


Examples of System Configuration for CHP

Mono-generation (Power generation only)

—In case of 18MACHII-SI (5,750 kW)—

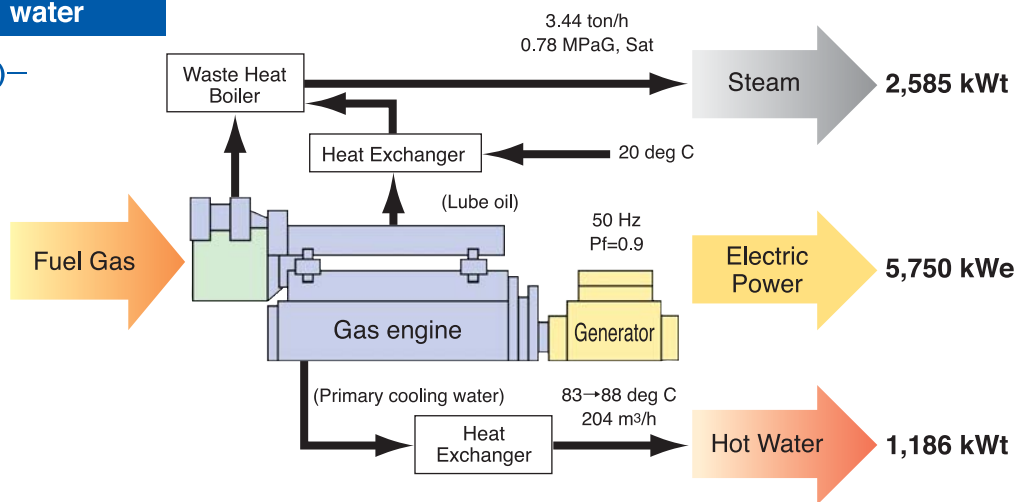


Efficiency: 47.3%

In accordance with ISO 3046

Producing power, steam and water

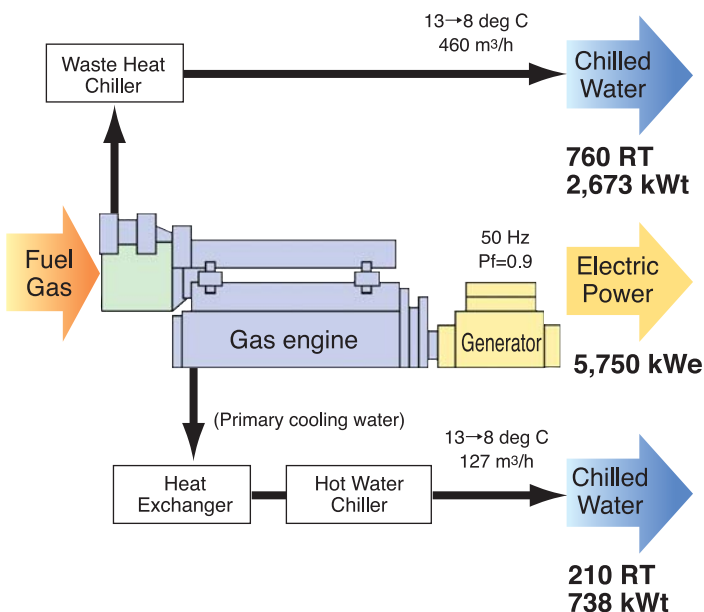
—In case of 18MACHII-SI (5,750 kW)—



Total Efficiency: 75.5%

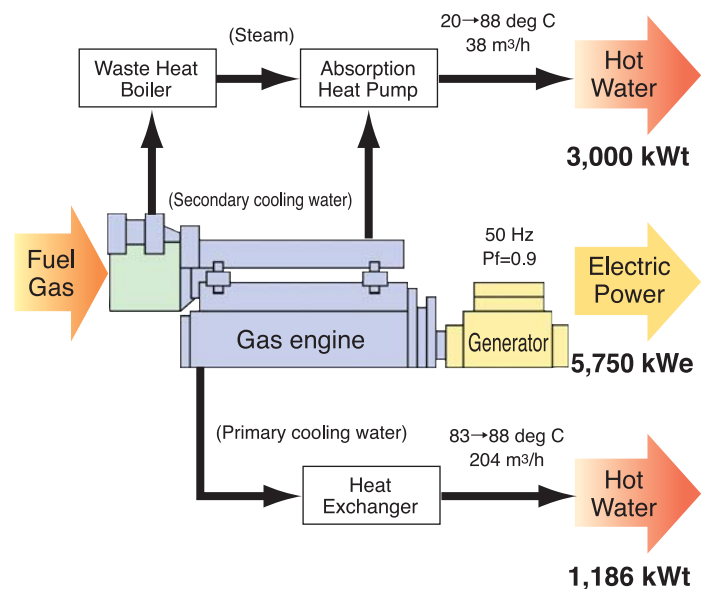
Producing power and chilled water using absorption chiller

—In case of 18MACHII-SI (5,750 kW)—



Producing power and hot water using absorption heat pump system

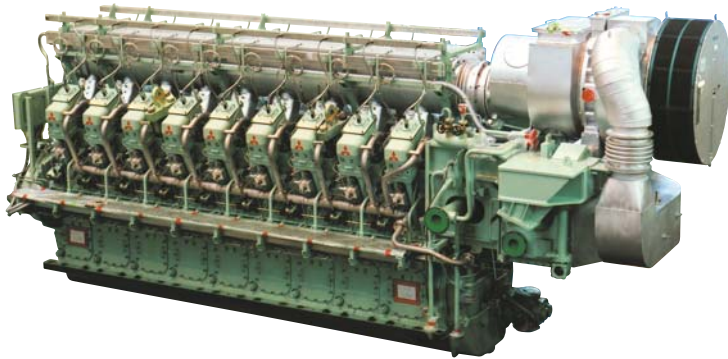
—In case of 18MACHII-SI (5,750 kW)—



Remark:
Heat recovery values would be changed due to design conditions.

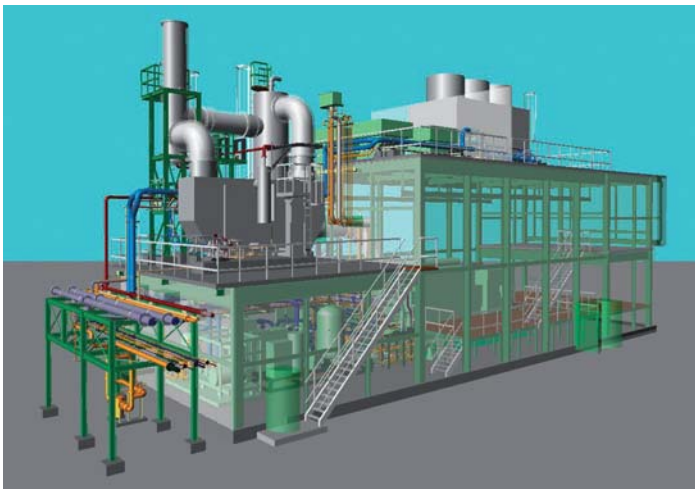
● Reliable package power plant & short delivery

We can offer the package plant incorporating the several kinds of output: electric power, steam, and hot water.
It is possible to install a reliable power generation plant with short time delivery by application of a MODULAR concept.



Various Models of MACH-30G Package Power Plant

Engine type	12, 14, 16, 18MACH-30G			
Unit(s)	1, 2, 3			
Package plant model	Saving premise model	Standard model	Lower noise model	With SCR model



Saving premise model, 1 unit



With SCR model, 3 units

 **MITSUBISHI HEAVY INDUSTRIES, LTD.**

Head Office

3-1, Minatomirai 3-chome, Nishi-ku, Yokohama, Japan
Phone: 81-45-200-9019
Telefax: 81-45-200-9199

Yokohama Machinery Works

Kanazawa Plant
8-1, Sachiura 1-chome, Kanazawa-ku, Yokohama, Japan
Phone: 81-45-775-2152
Telefax: 81-45-775-2135